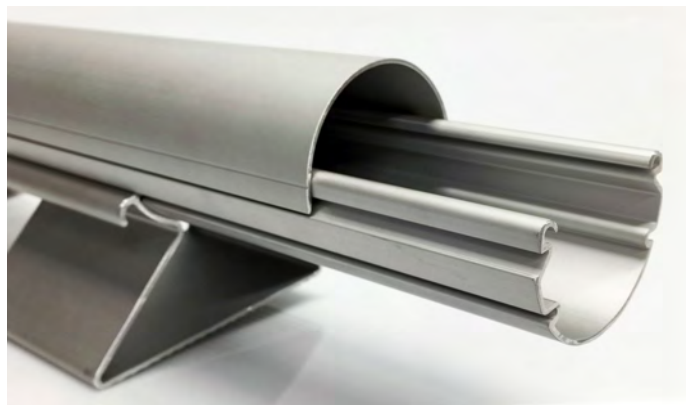




WIRE MANAGEMENT SYSTEM

Installation Guide



SECTION 1

INSTALLATION SAFETY

Notices of Safety Precautions..... 3
General Safety 3
Installation Safety..... 4

SECTION 2

RECOMMENDED TOOLS AND HARDWARE

Included Hardware 5
Recommended Installation Tools 5

SECTION 3

INSTALLATION INSTRUCTIONS

Step by step installations..... 6

1 INSTALLATION SAFETY

NOTICES OF SAFETY PRECAUTIONS

The *SOLAR RACEWAY* Wire Management System has been investigated by UL in accordance with Standard(s) **NEMA VE 12009** and is Certified Compliant.

Certificate Number	20150204-E472380
Report Reference	E472380-20150204
Issue Date:	2015-February-04

GENERAL SAFETY

Fall Hazards:

OSHA Part 1926-Subpart M contains fall-protection regulations for all roof edges, including all necessary guardrail systems, personal fall arrest systems, safety net systems, warning line systems, safety monitoring systems, controlled access zones and other required protective equipment and measures.

Weather Hazards:

Performing installations in overcast or dangerous weather conditions can cause severe bodily injury.

Electrical Hazards:

OSHA Part 1926-Subpart K contains hazard-protection regulations for working with live electrical equipment and/or high voltage. These regulations include a 10ft minimum clearance from overhead power lines and the usage of proper barriers and other forms of guarding when live parts of electric equipment and circuits are exposed.

Hand and Power Tools:

OSHA Part 1926-Subpart I contains regulations regarding tool usage during installation. Always check equipment before use to verify correct functionality and avoid and bodily harm.

1 INSTALLATION SAFETY

INSTALLATION SAFETY

- Installation procedures should be performed by trained and licensed personal that are experienced installing roof systems.
- Do not expose the Wire Management System to excessive loads as this may cause damage and assembly malfunctions.
- Perform all electrical installations in accordance with all local electrical codes and the National Electrical Codes (NEC), *ANSI/ NFPA 70*.
- Follow NEC requirements for grounding, including those in *Article 250 and Article 690*.
- Roof life and care is contingent upon proper care for the roof structure. This care is important during equipment installation. Never drag Solar Raceway components into place. Lift and place the Solar Raceway components into place.
- Solar Raceway products are made from Aluminum. This material is considered to be non-toxic. Metal components often have sharp edges. Handle with care and wear gloves during installation.
- Workarounds: Workers laying out or installing arrays on rooftops may encounter undocumented or unexpected obstacles requiring a workaround. Work drawings should note any irregularities within the installation that are not part of the regular Solar Raceway design.
- Always visually inspect assembled wire management systems after installations. Inspect row by row for any distortions or damage.

2 RECOMMENDED TOOLS & HARDWARE

INCLUDED HARDWARE



Flanged Hex Nut 1/4-20



Flanged Hex Head Cap
Screw 1/4 - 20 @ 1/2'

RECOMMENDED INSTALLATION TOOLS

We recommend the following tools to aid your installation:



Deburring tool



Socket wrench



Portable drill



3/8" wrench

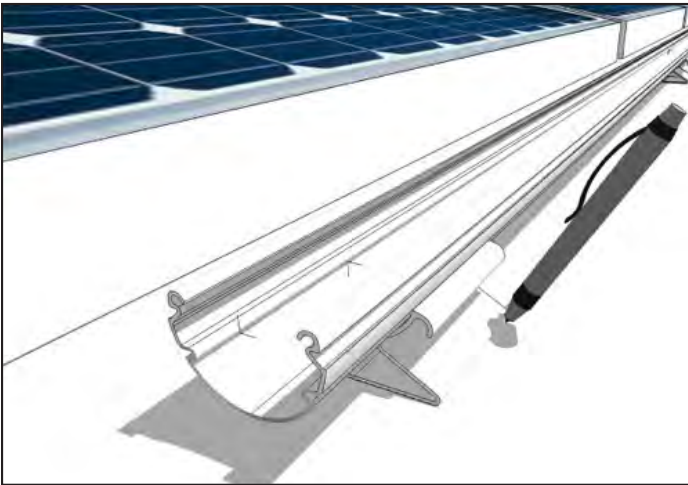


Chop saw

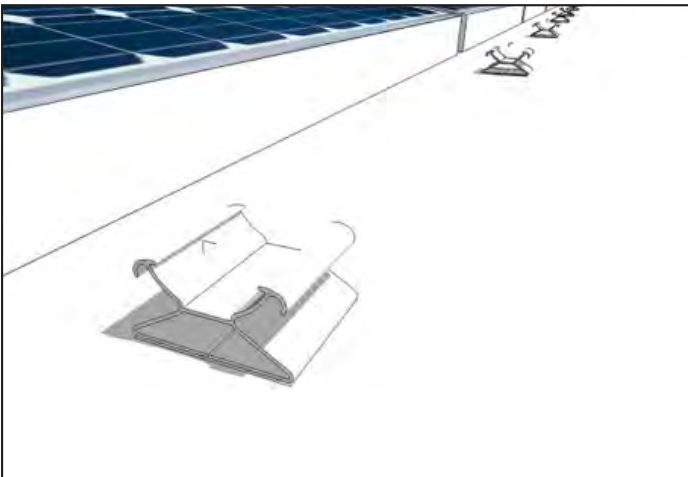


1/4 - 20 Drill Tap

3 INSTALLATION INSTRUCTIONS

**STEP 1:**

Lay the cable tray with the preferred spacing between bases. We recommend a ratio of one base for every three feet of Solar Raceway. Trace outline of each base to mark before adhesion of the base.

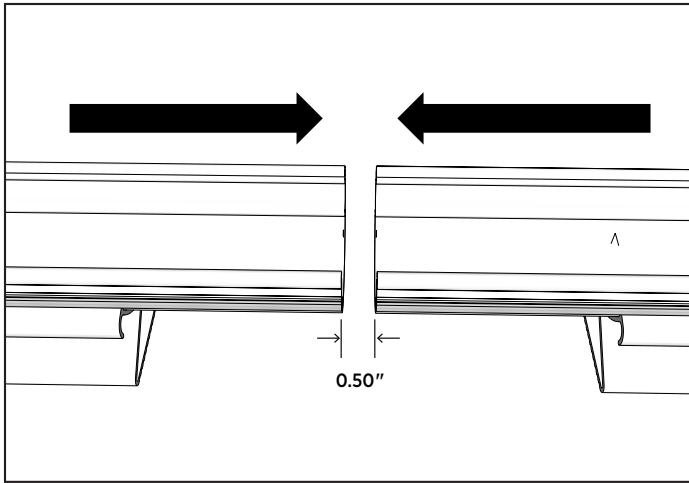
**STEP 2:**

After deciding on the layout of each base, apply double sided tape and gently press each base to the tape. Once cable tray is snapped to the base, again apply pressure to ensure the base is secure.

**STEP 3:**

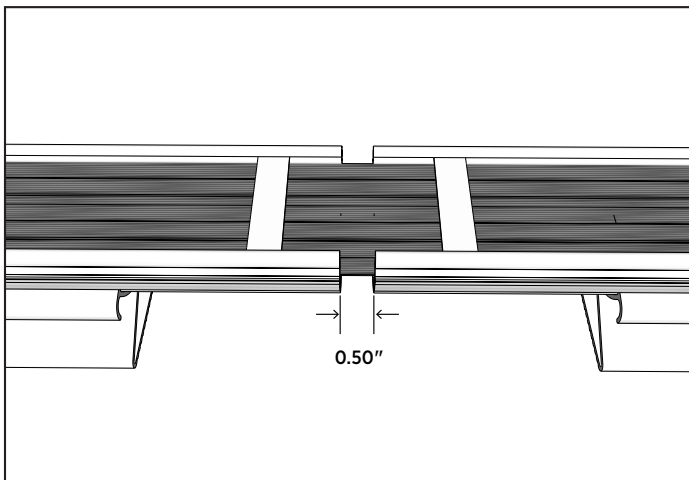
Snap each cable tray to bases by applying firm pressure to the cable tray. A successful cable tray attachment will result in an audible snap sound.

3 INSTALLATION INSTRUCTIONS



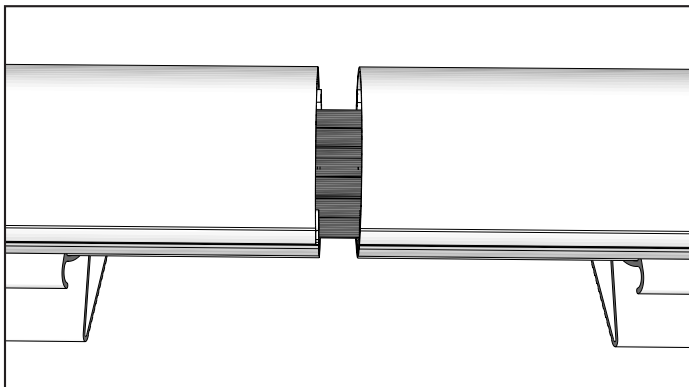
STEP 4:

After snapping the cable tray into place, slide the cable trays toward each other, leaving approximately 1/2 inch space between each section. This allows for thermal expansion.



STEP 5:

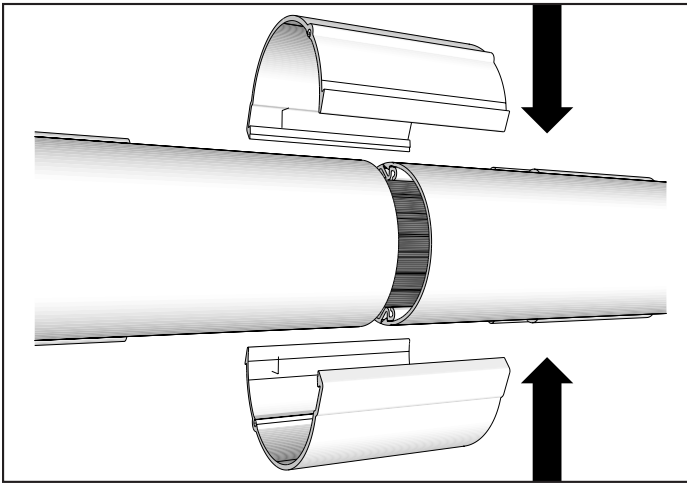
Populate your cable tray with your wires. If desired, Solar Raceway can provide plastic wire retainer clips to aid in wire support.



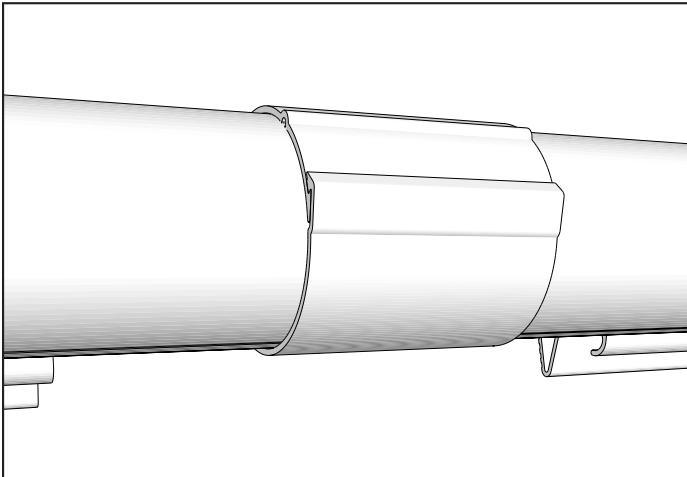
STEP 6:

Snap the top cover on to the cable tray.

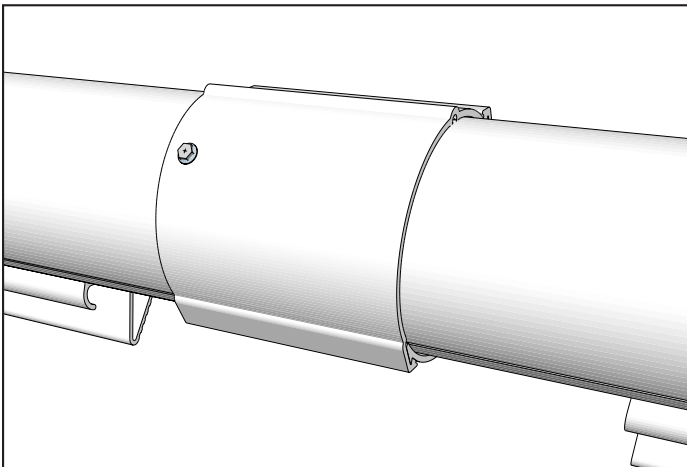
3 INSTALLATION INSTRUCTIONS

**STEP 7:**

After top cover is snapped into place, take x2 split expansion sleeve halves and position over the center of the gap between tray lengths.

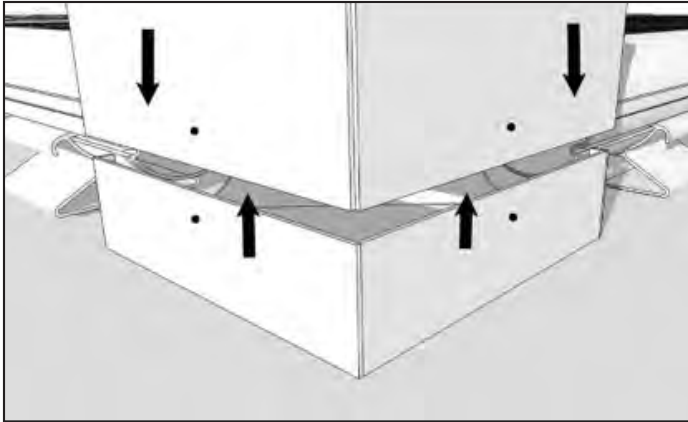
**STEP 8:**

Push both halves together until they interlock. You will hear another snap. This will slide freely over the closed system.

**STEP 9:**

Turn the snapped split expansion sleeve 90 degrees and use a self tapping screw to hold the expansion sleeve in place.

3 INSTALLATION INSTRUCTIONS

**STEP 10:**

If needed, slide the lower half of the split 90 and or split T connector under the Solar Raceway while closed. Bring the upper half of the split 90 or split T connector down from above until the predrilled holes line up. Use a ¼ - 20 bolt in each hole.



Solar Raceway can provide any additional parts or components as needed to assist with your installation. Our customer service staff is also available to assist with any other concerns.

CONTACT US

✉ info@SolarRaceway.com

☎ (585) 328-2011

VISIT US ONLINE

🌐 SolarRaceway.com